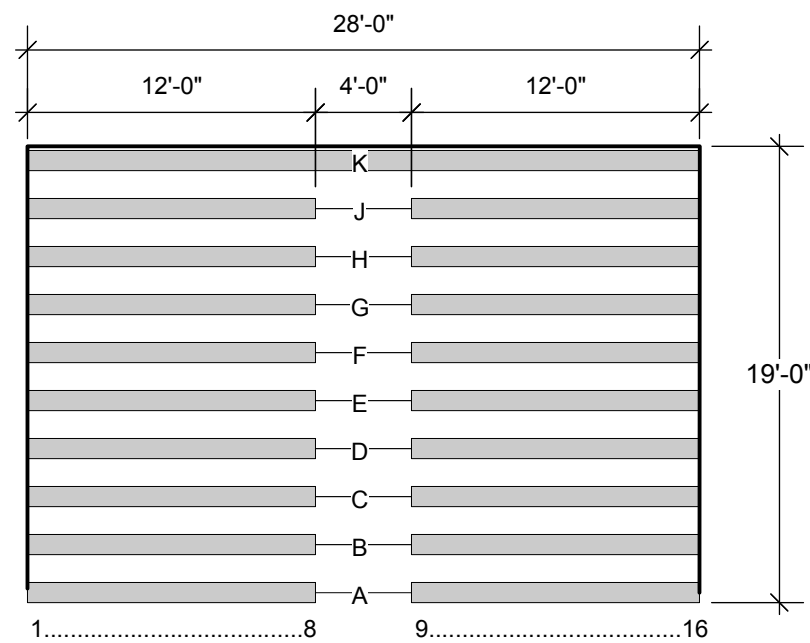
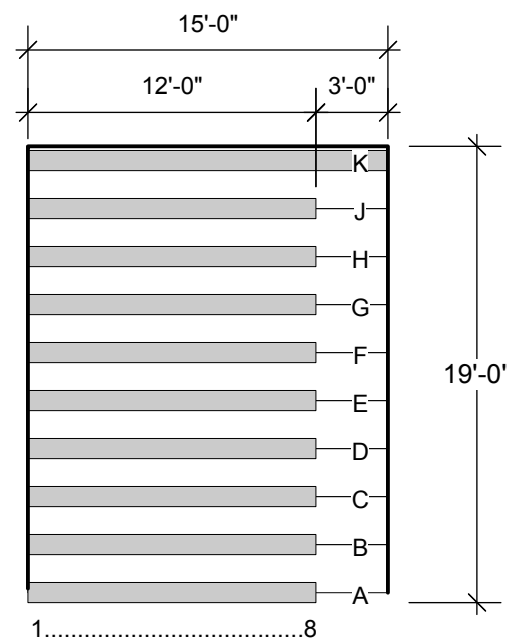


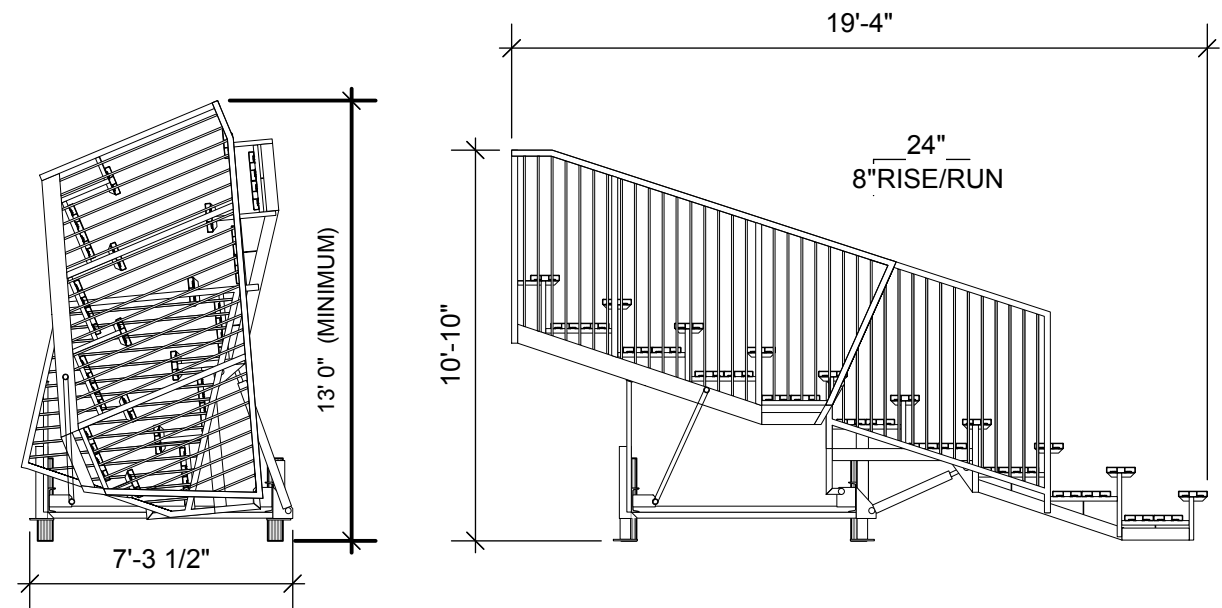
① **42 FT X 10 ROW (242 SEATS)**
Scale: 1/8" = 1'-0"



①A **28 FT X 10 ROW (162 SEATS)**
Scale: 1/8" = 1'-0"



①B **15 FT X 10 ROW (82 SEATS)**
Scale: 1/8" = 1'-0"



② **SECTION ELEVATIONS**
Scale: 3/16" = 1'-0"

OCCUPANCY - GROUP A, DIVISION 4
CONSTRUCTION TYPE - V
CONSTRUCTION TO CONFORM TO ICC 300-2007

American Grandstand Seating
2160 Central Ave. Duarte, CA 91010
Office Phone: 1-562-437-5707
Fax: 1-562-437-5848



This drawing is the property of AMGS and can not be duplicated, modified or used for any other purposes without written permission from AMGS. Use of this drawing for bidding is strictly prohibited. Verify all dimensions, specifications and field conditions before using this drawing for construction.

DATE:	APPROVED BY:	REVISED:
SCALE:	JOB NO.	DRAWN BY: DTO
10 ROW UNITS		DRAWING NO. 3